

Metal touch stand alone access controller



User manual V1.0

Contents

| | |
|--|----|
| Part1.Product characte..... | 2 |
| Part2. Function parameter..... | 3 |
| Part3.How to assemble..... | 3 |
| Part4.Circuit diagram..... | 4 |
| Part5.Setting and using management card..... | 6 |
| Part6.Programming setup..... | 6 |
| Part7.How to use..... | 10 |
| Part8.Initialization of the door controller..... | 10 |
| Attachment 1: Description of signal light..... | 11 |
| Attachment 2:Description of the buzzer sounds... | 12 |
| Attachment3:Frequently Asked Questions..... | 13 |
| Attachment 4:Attachment list..... | 14 |

Part1. Product character

This Metal touch stand alone access controller is specially designed for the control of the entrances of office,buildings,offices,intelligent buildings , residential districts,factories , building public accesses.It support four ways to open the doors:Proximity Cards, the password,Proximity Card plus pass word,and stress plus alarm signal out put.It will provide users with a simple, direct and secure access control system solutions.

Compared with other similar products,This product has the following advantages:

- 1.Brand-new touch key with back light
- 2.ARM Processor inside ,greater card capacity
- 3.Access controller and Wiegand card reader inside
- 4.Authorize offline,signal output
- 5.With software to auto-authorize cards

Special attention: Please read the User manual strictly before using the system,and follow the instructions strictly while using.This User manual will introduce the main function and how to operate for you.

Part2.Function parameter

Operating voltage: DC 12V

Opening current : < =1.5A

Static current : < =60mA

Memory: 3000pcs(Can designed by requirement)

Card type: EMID or Mifare card

Size: 78.7*78.7*18.6mm

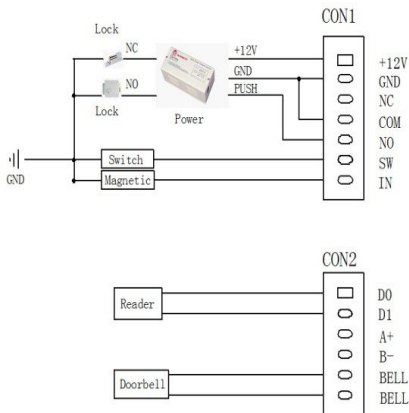
Part3. How to assemble

Unpack the cross-screw that fixes faceplate and bottom board, then taken off bottom board and install in on the side wall of the entrance.

Warning : please ensure to switch off power before connecting lines and switch on power after all lines being connected well! And please be sure that power voltage is 12v and that anode & cathode are in place!

Part4.Circuit diagram

1.Connection Diagram



2.Connection instruction

CON1 connector signal explanation:

| Pin s | Note | Color | Explanation |
|-------|------|--------|---|
| 1 | +12V | Red | Anode(+12V) |
| 2 | GND | Black | Ground |
| 3 | NC | Blue | Relay closed the output |
| 4 | COM | White | COM |
| 5 | NO | Yellow | Relay to often open the output |
| 6 | SW | Brown | The input of open button,the other end to GND |
| 7 | IN | Green | The input of door sensor signal,the other end GND |

Remarks:Electric lock's cathode connect the electric lock power supply's cathode,generally marked with a lock-word.

CON2connectorsignalexplanation:

| Pins | Note | Color | Explanation |
|------|------|--------|---------------------------------|
| 1 | D0 | green | To card reader data cable DATA0 |
| 2 | D1 | Blue | To card reader data cable DATA1 |
| 3 | A+ | Yellow | backup |
| 4 | B- | White | backup |
| 5 | BELL | Black | To doorbell |
| 6 | BELL | Red | To doorbell |

Part5.Setting and using management card

1.Adding management card

Turn off the power and hold down the RESET button, If the red and the blue lights flashing, then can add The management card.

2.Adding user card by the increase management card

Reading a management card (in the non-programmed state)=> reading blank card (one or more cards) =>reading the Management Card twice.

3.Deleting user card by the delete management card

Read Management Card twice => Read user card (one or more cards) =>Reading a management card.

Part6.Programming setup:

The original management password is 12345, the user's password is 8888.

1.Enter programming:

Long press #,the blue light flashes=>input management password=>short press#,the red light bright, it means the machine has entered the programming.

2.Function setup(under programming)

(1) Modify management password:

Press0 =>input the new password=>press #=>input
The password again=>press# =>long press # to quit.

**NOTE:The password must be 2-8 digital
numbers**

(2)Four ways to add using card.

- ①.Press1=>read the black card (or keep on
Reading cards=>long press # to quit.
- ②.Press1 =>input 8-digital number of the card
=>press# =>press#to quit, or press1 to keep on
reading cards.
- ③.Read Management Card=>read the blank
card(or keep on reading cards)=>reading the
Management Card twice
- ④.Set the machine to automatically add card mode
set the open mode to 303. Users can be realized to
open the door of storage the card number

**NOTE: 8-digital number is the last 8-digital of
the 10-digital number printed on the back of
card,the new User card's password is 8888.**

(3) Four ways to delete using cards

①.Delete all cards:

Press2 =>input 0000=>press # =>long press # to quit.

②.Delete the cards which have been read:

Press2 =>swiping card(one or more cards)=>long press # to quit.

③.Delete lost cards:

Press2 =>input 8-digital number of the card
=>press #=>long press #to quit, (orpress2to
Keep on deleting card)

④.Read Management Card twice=>Read(or keep
On reading cards)=>Read the Management again.

**NOTE: 8-digital number is the last 8-digital of the
10-digital number printed on the back of card.**

(4) Setup for door-open mode

①.Open with reading a valid card : press 3
=>press # =>long press # to quit.

②.Open with read invalid card plus password:
press3=>input01=>press #=>long press # to quit.

③.Open with reading a valid card or password:
press3=>input02=>press #=>long press # to quit.

④.Automatically add card mode:=>press3=>03=>
press#=>long press # to quit.

**NOTE:Original setup is302forreadingvalid
card or input password to open the door.**

(5)Setup for door-open time

Press4=>in put XX=>press#>long press# to quit.

NOTE: XX is within 01-99, the time is

Measured by seconds and the original setup is 3 seconds.

(6)Modify public using password:

Press5=>input new pass word with 2-8 digital number =>press#=>input again=>press#=>long press # to quit.

NOTE:the password must be 2-8 digital numbers.

(7)Functional mode switch Settings

This access controller can switch to Card Reader Mode by the Management Menu, Card Reader Mode output WG26 signal.the Specific way is:

Press9=>1=>02=>press#,then turn off the Electric and turn on again.If you want to back To the normal Mode you should initialize the controller. (seePart8) .

Part7.How to use

- 1.Open with a card**:In normal state,the door will open with a validcard.
- 2.Open with a card plus a password**: Input the right password within 10s after a valid card has been read,then press # .Every card has its own password ,the original password is 8888.
- 3.Open with user password**:Input the user password and press # ,the original user password is 8888.

Part8.Initialization of the door controller

- 1.Turnoff the electricity,hold down the **Reset** button.
 - 2.Turn on the electricity ,hold down the **Reset** button until a buzzing.Initialization complete.
- STATE: After the buzzing ,the machine enter the Using State.

NOTE: Initialization can only change the password to the default password:12345,user password :8888,other data will not be changed.

Attachment 1. Description of signal light

| Events | Red light(Run) | Green light(State) |
|-----------------------------------|--------------------|--------------------|
| normal working | glitter | |
| Valid cards/correct | | on |
| Open button, | | on |
| Wrong password | on | |
| Invalid cards | on | |
| Press the valid | on | |
| Alarm | glitter | |
| Programming state | on | on |
| Input correct programming command | on | glitter |
| Management card | glitter | glitter |
| Adding type card | | Glitter |
| Deleting type card | Glitter frequently | Glitter frequently |

Attachment 2.Description of the buzzer sounds

There are four kinds of buzzing:“toot” 、 “toot-toot” 、 “ toot-toot-toot”、“toot...”, “toot”is mostly used in valid button or OPEN button, “toot-toot”is mostly used in successful operation,“ toot-toot-toot”is mostly used in failing or wrong operation, “toot...”is mostly used in alarm. Specific as follows .

| Events | buzzer |
|---------------------------------|---------------------|
| normal working state | |
| Read valid card,open | Toot |
| Correct password, open | toot |
| Wrong password | toot-toot |
| Invalid card | toot-toot-toot-toot |
| Input correct programming code | toot |
| Alarm | toot... |
| Input correct programming | toot |
| Input wrong programming command | toot-toot |

Attachment 3.Frequently Asked Questions

| Common Questions | Possible reasons | Solutions |
|---|---|---|
| No buzzing after reading cards | Sensitive time is too long | Read again |
| | The card has problem | Read with another card |
| Light doesn't light | Check the power | Change the power supply |
| Can't open with right password or valid cards | Voltage is too low | Change voltage or supply power |
| | The power supply can not afford the electricity's | Change power supply |
| | Open-door mode is set wrong | Set right Open-door mode |
| | Wrong with lock | Change lock |
| Forget the personal | | Delete this |
| Authorize the cards have been give out | | Records the card number in advance, and increase the card using the card number |

Attachment 4: Attachment list

Product certification 1 piece

User manual 1 piece

Door controller 1 set

Line 2 piece

Warranty Card

*This card is Warranty Card, please fill in and save

| | |
|---|--|
| Product type: | |
| Sold date: | |
| Sold place:(please build official seal) | |
| Sales phone: | |

*The Warranty Card can only take effect after building the company' seal.

Warranty Ordinance

Dear Customers:

Thank you for purchasing our products! In order to protect your legitimate rights and interests as well as to improve our

after-sales service, we formulate will geiger the Warranty Ordinance, please read carefully and provide us valuable suggestions.

1. Our products enjoy free warranty service for months from the sales date. That is if the product's sales date is over the warranty period of months, our company will depend on the product failure to charge the cost.

2. Please properly pack the product that is to repair, our company won't be responsible for the loss or damage which is happened in the delivery process.

3. During the warranty period, if the product suffer problems led by the following reasons, our company has the right to refuse to repair your product or charge for the cost.

(1). users caused by improper use of product;

(2). electric shock or improper installation that led to the burn accident;

(3). the non- maintenance service provider repair the product.

(4). the product's label is damaged;

4. Please read the User manual strictly before using the products.

5. In order to protect your right, be sure that the Warranty Card has builded the official of Sold place.

Metal touch stand alone access controller

>Brand-new touch key with backlight

>Authorize offline,signal output

>Support four type opening methods:card,
password,both a card and password,secret
alarm

